

ALEXANDRA® LIGHTING SYSTEMS, INC.

55D SERIES

Type: _____

T-5 Miniature
Fluorescent Light Bar

- 120 / 277 Volts
- Dry or Damp Locations
- 540-2900 Lumens
Per Foot of Length
- Multiple Lamp-Color
- Made in the USA



- LAMP WATTS _____
- LAMP CODE _____
Lamp not included
- 120 Volts
- 277 Volts
- Integral Ballast
- Remote Ballast
- 5/8 X 1-1/2 Housing
- 1-1/4 X 1-1/2 Housing
- 1-7/8 X 2-1/4 Housing
- Symmetrical Reflector
- Asymmetrical Reflector
- Clear Lens
- Frosted Lens
- End 1/2" Knock-out
- 3/8" Flex End Connector
- 1/2" Flex End Connector
- Splice Plate
- Satin Aluminum
- Black
- White
- Custom _____



SPECIFICATION GUIDE: 55D72DP14R1WCSFS

| DESIGNATION: FIXTURES SERIES | HOUSING LENGTH | LAMP CODE | LAMP WATTS | VOLTAGE | BALLAST LOCATION | HOUSING PROFILE | HOUSING COLOR | END CONNECTION | LENS/ REFLECTOR |
|--|----------------|-----------|------------|---------|------------------|-----------------|---------------|----------------|-----------------|
| SAMPLE SPECIFICATION: 55D | 72 | DP | 14 | 1 | R | 1 | W | C S | FS |
| DESCRIPTION EXAMPLE: Alexandra Series 55D, 72 long, with 3000 K lamp, 14 watt lamp, 120 volts, remote ballast, 5/8 H x 1-1/2 W fixture housing, white, one end with 3/8" flex end connector, one end with splice plate, frosted lens, and symmetrical reflector. | | | | | | | | | |

APPLICATIONS: Dry or damp location rated; wall, ceiling or cove mounting; remote or integral ballast; a full range of lighting possibilities.

BALLAST: Ballasts are electronic, designated class P (thermally protected) and high power factor.

COLOR / FINISH: Satin aluminum is standard. Black or white powder coat is available as a standard option. Custom colors, anodized colors or powder coat combinations including wrinkle finishes are available. Contact the factory for details.

CONDUIT CONNECTION: The #1 low profile housing can be connected by 3/8" or 1/2" flex end fitting. The #2 profile housing can be connected by 1/2" knock-out on either end. Method of connection to be specified for both ends of fixture.

- E: End 1/2" knock-out.
- C: 3/8" flex end connector.
- D: 1/2" flex end connector.
- S: Splice plate

CONSTRUCTION: Housing is metal, lens is extruded polycarbonate and end connector is aluminum.

DESCRIPTION: An architecturally finished linear T-5 fluorescent lighting fixture, with dual lamps staggered with 4" overlap for reduced shadows, allows for numerous lengths, finishes, voltages, wattage & output levels.

3475 PINE TREE SQUARE, SUITE G COLORADO SPRINGS, CO 80909 TEL: 719.548.8805/800.833.0540 FAX: 719.260.7929 e-MAIL: alexandraltgsys@aol.com

All product illustrations are based on current information at the time of publication. Alexandra Lighting Systems, Inc. reserves the right to make changes without notice or obligation in prices, specifications, colors, and materials, and to change or discontinue models. Call for latest information. Part substitution voids all warranties. ©2003 Alexandra Lighting Systems, Inc.

rev 55D/11/03

FIXTURE CONFIGURATIONS: Single T-5 lamps in-line (end-to-end)

HOUSING DIMENSIONS : Up to 8 foot sections, which can be readily interconnected with splice plates to provide custom lengths without having to handle long and cumbersome sections.

- Profile #1: 5/8"H x 1-1/2"W
- Profile #2: 1-1/4"H x 1-1/2"W
- Profile #3: 1-7/8"H x 2-1/4"W

(80 watt fixture with integral ballast on Profile #3 housing)

LAMPS: Not included with the fixture. Fixtures are built for T-5 miniature bi-pin fluorescent lamps. Lamps may be specified.

LENS: An optional polycarbonate, snap on lens in frosted (F) or clear (C) is available.

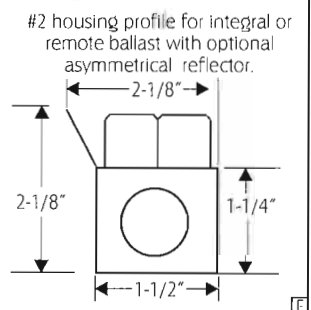
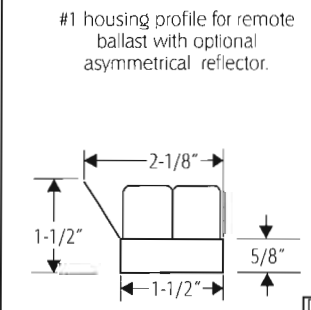
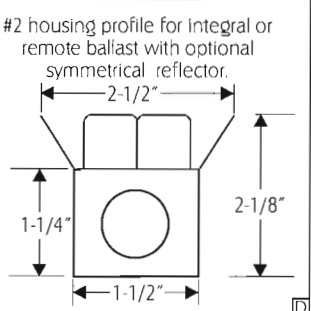
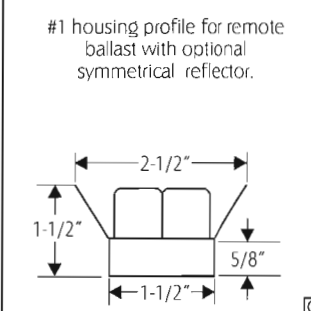
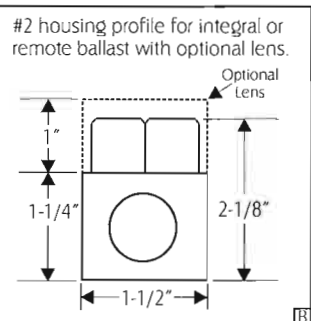
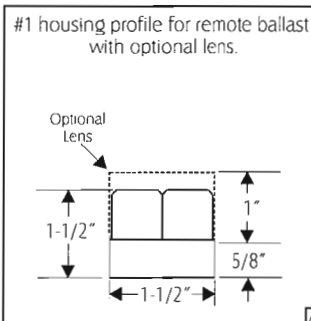
MITERS: Custom miters can be provided. Contact factory for details.

MOUNTING METHOD: Mounting holes are provided in the back of the fixture channel.

REFLECTOR: Symmetrical (S) or asymmetrical (A) reflectors are available as an option.

VOLTAGE: #1: 120 volts
#2: 277 volts

WIRING: 10 ft leads are provided standard with remote ballast units (maximum length possible 18ft).



STANDARD FIXTURE LENGTH - INCHES

| PREHEAT LAMPS | NUMBER OF LAMPS | | | | | | | | |
|-------------------------|-----------------|----|----|----|----|----|----|----|----|
| | WATTS | 2 | 4 | 6 | 8 | 10 | 12 | 14 | 16 |
| 4 | 11 | 17 | 23 | 29 | 35 | 41 | 47 | 53 | |
| 6 | 14 | 23 | 32 | 41 | 50 | 59 | 68 | 77 | |
| 8 | 17 | 29 | 41 | 53 | 65 | 77 | 89 | | |
| 13 | 26 | 47 | 68 | 89 | | | | | |
| HIGH PERFORMANCE | 14 | 27 | 49 | 72 | 94 | | | | |
| 21 | 39 | 73 | | | | | | | |
| 28 | 50 | 96 | | | | | | | |
| 35 | 62 | | | | | | | | |
| HIGH OUTPUT | 24 | 27 | 49 | 72 | 94 | | | | |
| 39 | 39 | 73 | | | | | | | |
| 54 | 50 | 96 | | | | | | | |
| 80 | 62 | | | | | | | | |

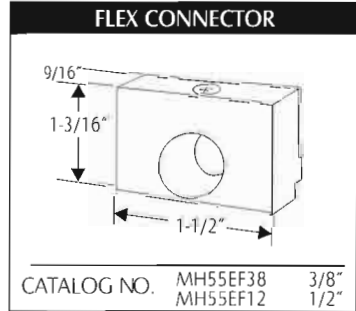
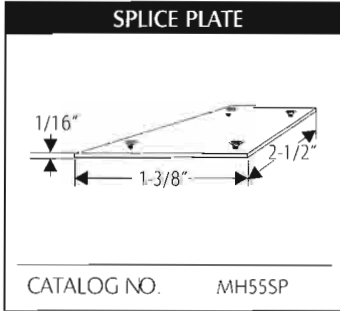
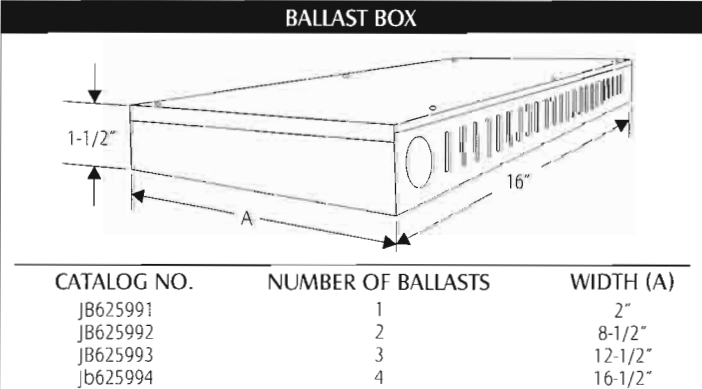
Add 9/16" to standard lengths for each end fitting. Consult the factory for special combinations of different wattage lamps for special length or lighting requirements.

| OPTIONS | CATALOG NO. | DESCRIPTION |
|---------|---------------|--------------------------------|
| | LS55C _____" | Clear lens |
| | LS55F _____" | Frosted lens |
| | MH55EF38 | Connector for 3/8" flex |
| | MH55EF12 | Connector for 1/2" flex |
| | MH55SP | Splice plate |
| | JB625991 | Ballast box for one ballast |
| | JB625992 | Ballast box for two ballasts |
| | JB625993 | Ballast box for three ballasts |
| | JB625994 | Ballast box for four ballasts |
| | LS55SR _____" | Symmetrical reflector |
| | LS55AR _____" | Asymmetrical reflector |

LAMP SPECIFICATIONS - CODES T-5 MINIATURE BI-PIN

| | WATTS | COLOR KELVIN 3000 | COLOR KELVIN 3500 | COLOR KELVIN 4100 | INITIAL LUMENS* | NOMINAL LENGTH INCHES | AVERAGE RATED LIFE HOURS* | LUMENS PER FOOT OF FIXTURE |
|-------------------------|----------------------|-------------------|-------------------|-------------------|-----------------|-----------------------|---------------------------|----------------------------|
| | PREHEAT LAMPS | 4 | - | - | DI | 135 | 6 | 6000 |
| | 6 | DJ | - | DK | 270 | 9 | 7500 | 780 |
| | 8 | DL | - | DM | 390 | 12 | 7500 | 800 |
| | 13 | DN | - | DO | 860 | 21 | 7500 | 980 |
| HIGH PERFORMANCE | 14 | DP | DQ | DR | 1350 | 22 | 20000 | 1440 |
| | 21 | DS | DT | DU | 2100 | 34 | 20000 | 1480 |
| | 28 | DV | DW | DX | 2900 | 46 | 20000 | 1520 |
| | 35 | DY | DZ | EA | 3650 | 58 | 20000 | 1520 |
| HIGH OUTPUT | 24 | EB | EC | ED | 2000 | 22 | 20000 | 2140 |
| | 39 | EE | EF | EG | 3500 | 34 | 20000 | 2460 |
| | 54 | EH | EI | EJ | 5000 | 46 | 20000 | 2600 |
| | 80 | EK | EL | EM | 7000 | 58 | 16000 | 2900 |

* This information is based on average lamps as tested and published by the lamp manufacturer, may vary in actual usage.



Drawings Not to scale.

ALEXANDRA®
LIGHTING SYSTEMS, INC. A

3475 PINE TREE SQUARE, SUITE G COLORADO SPRINGS, CO 80909 TEL: 719.548.8805/800.833.0540 FAX: 719.260.7929 e-MAIL: alexandratgsys@aol.com

All product illustrations are based on current information at the time of publication. Alexandra Lighting Systems, Inc. reserves the right to make changes without notice or obligation in prices, specifications, colors, and materials, and to change or discontinue models. Call for latest information. Part substitution voids all warranties. 2003 Alexandra Lighting Systems, Inc. \$1.00 rev 55D/11/03