

# ALEXANDRA<sup>®</sup>

LIGHTING SYSTEMS, INC.

55E8 SERIES

Type: \_\_\_\_\_

- T-8 Fluorescent Light Bar
- 120/277/347 Volts
- Dry or Damp Locations
- Field Extendable to Fit Available Space
- Dimmable Ballasts Optional
- Shadow Free Lighting
- Made In the USA



- Lamp Watts \_\_\_\_\_
- Lamp Code \_\_\_\_\_  
Lamp not included
- 120 Volts
- 277 Volts
- 347 Volts
- Integral Ballast
- Remote Ballast
- Non-Dimmable Electronic Ballast
- Dimmable Electronic Ballast
- HOUSING COLOR:
- Black
- White
- Custom \_\_\_\_\_



SPECIFICATION GUIDE: 55E852/68XX251RWF							
DESIGNATION:	FIXTURE SERIES	HOUSING LENGTH	LAMP CODE	LAMP WATTS	VOLTAGE	BALLAST LOCATION	HOUSING COLOR
SAMPLE SPECIFICATION:	55E8	52" to 68"		25	1	R	W
DESCRIPTION EXAMPLE: Alexandra Series 55E8, 52"-68" long with 3000K lamps, 25 Watt lamp, 120 volts, remote ballast, white.							

**APPLICATIONS:** Dry or damp location rated; wall, ceiling or cove mounting; remote or integral ballast; a full range of lighting possibilities.

**BALLAST:** Ballasts are electronic, designated class P (thermally protected) and high power factor. Remote (R) or integral (I).

**CONDUIT CONNECTION:** The housing can be connected by 1/2" knock-out on either end.

**CONSTRUCTION:** Housing is aluminum

**DESCRIPTION:** An architecturally finished linear T-8 fluorescent lighting fixture with two single lamps mounted side-by-side for numerous lengths, finishes, voltages, wattage & output levels. Lamps are staggered for shadow-free lighting.

**FIXTURE CONFIGURATIONS:** Two T-8 lamps per fixture

**HOUSING COLOR:** Black (B) or white (W) powder coat is standard. Custom colors, anodized colors or powder coat combinations including wrinkle finishes.

**HOUSING DIMENSIONS:** 2" H x 3-5/8 W x Length. Available from 23-7/8" collapsed length to 92" extended length. Field adjustable to fit most all available spaces—then positively locked in position.

**LAMPS:** Not included with the fixture. Fixtures are built for T-8 bi-pin fluorescent lamps. Lamps must be specified.

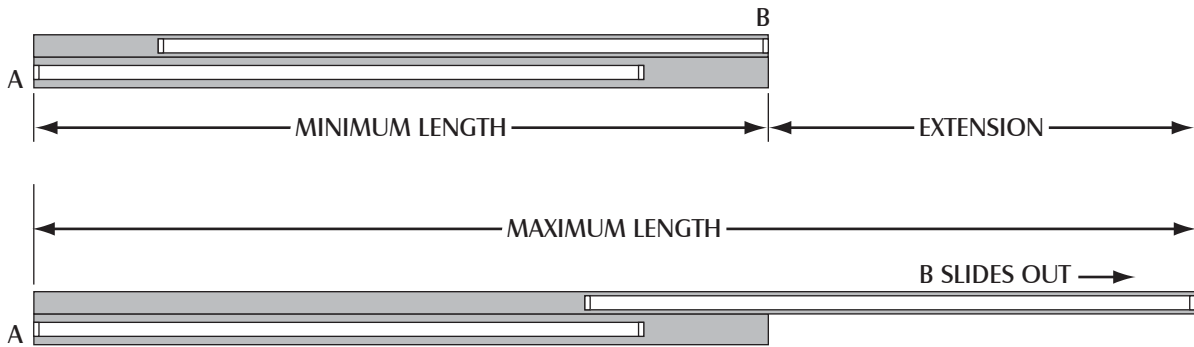
**MOUNTING METHOD:** Mounting holes are provided in the back of the fixture channel.

**VOLTAGE:** #1: 120 volts  
#2: 277 volts  
#3: 347 volts

**WARRANTY:** 1 year limited, conditional on the use of Alexandra Lighting Systems, Inc. supplied power supply(ies) and installed in accordance with Alexandra Lighting Systems' installation instructions and/or any prevailing local codes.

**WIRING:** 10ft leads are provided standard with remote ballast units (maximum length possible 18ft).

### FIXTURE CONFIGURATION



### DIMENSIONS

T-8 LAMP WATTS	MINIMUM LENGTH	EXTENSION	MAXIMUM LENGTH
14	23-7/8"	8-1/8"	32"
17	33-7/8"	10-1/8"	44"
25	51-7/8"	16-1/8"	68"
32	69-7/8"	22-1/8"	92"

### OPTIONS

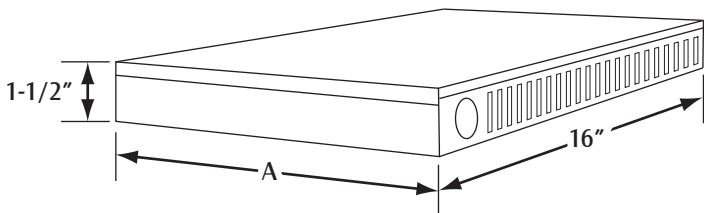
CATALOG NO.	DESCRIPTION
JB625991	Ballast box for one ballast
JB625992	Ballast box for two ballasts

### LAMP SPECIFICATIONS — T-8 BI-PIN

WATTS	COLOR KELVIN 3000	COLOR KELVIN 3500	COLOR KELVIN 4100	PER LAMP INITIAL LUMENS*	LAMP LENGTH INCHES	AVERAGE RATED LIFE (HOURS*)
14				875	18	6500
17				1325	24	30000
25				2125	36	30000
32				2850	48	30000

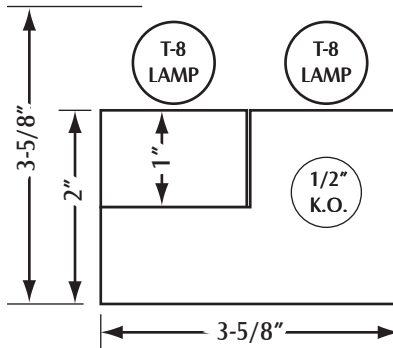
\*This information is based on average lamps as tested and published by the lamp manufacturer, may vary in actual usage.

### BALLAST BOX



CATALOG NO.	NUMBER OF BALLASTS	WIDTH (A)
JB625991	1	2"
JB625992	2	7-1/4"

### FIXTURE PROFILE



DRAWINGS NOT TO SCALE