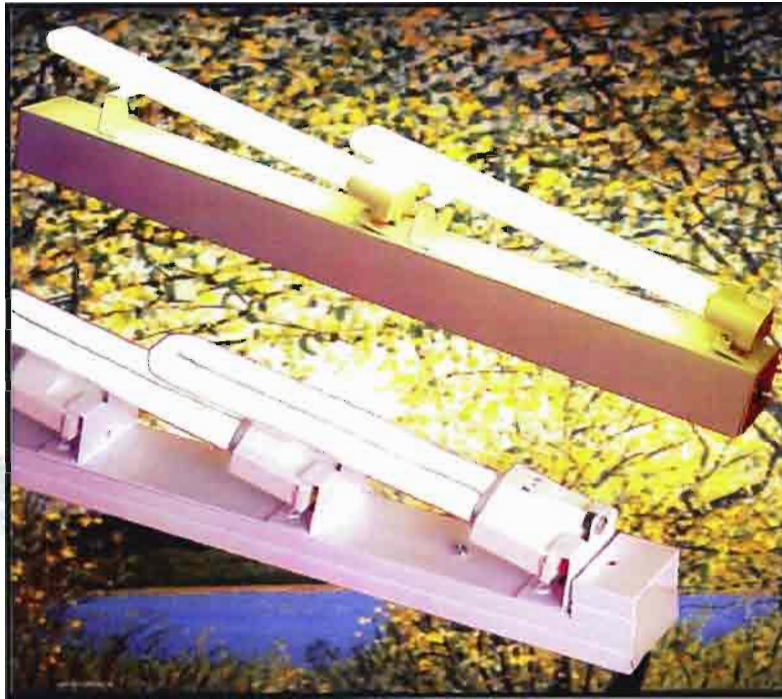


# ALEXANDRA<sup>®</sup> LIGHTING SYSTEMS, INC.

5B SERIES

Type: \_\_\_\_\_

- Compact Twin Fluorescent Light Bar
- Shadowless
- Dimmable
- 120 / 277 Volts
- Dry or Damp Locations
- 1740-3030 Lumens Per Foot of Length
- Multiple Lamp-Color
- Made in the USA



- Dimmable
- LAMP WATTS \_\_\_\_\_
- LAMP CODE \_\_\_\_\_  
Lamp not included
- 120 Volts
- 277 Volts
- Integral Ballast
- Remote Ballast
- 5/8" X 1-1/2" Housing
- 1-1/4" X 1-1/2" Housing
- 1-7/8" X 2-1/4" Housing
- 1-7/8" x 2-7/8" Housing
- Symmetrical Reflector
- Asymmetrical Reflector
- End 1/2" Knock-out
- Splice Plate
- End Plate - No knockout
- Junction Box
- Industrial Aluminum
- Black
- White
- Custom \_\_\_\_\_



**SPECIFICATION GUIDE: 5B34FJ131IE2WESSJ**

DESIGNATION:	FIXTURE SERIES	HOUSING LENGTH	LAMP CODE	LAMP WATTS	VOLTAGE	BALLAST LOCATION	BALLAST TYPE	HOUSING PROFILE	HOUSING COLOR	ELECTRICAL CONNECTION	REFLECTOR	JUNCTION BOX
SAMPLE SPECIFICATION:	5B	34	FJ	13	1	I	E	2	W	ES	S	J
DESCRIPTION EXAMPLE: Alexandra Series 5B, 34" long, with 3000 K lamp, 13 watt lamp, 120 volts, integral ballast, electronic ballast, 1-1/4"H x 1-1/2"W fixture housing, white, one end with 1/2" knockout and the other with splice plate, symmetrical reflector, and junction box.												

**APPLICATIONS:** Dry or damp location rated; wall, ceiling or cove surface mounting, etc; remote or integral ballast; a full range of lighting possibilities.

**BALLAST:** All fixtures are available with high power factor electronic ballasts. All ballasts are designated class P - thermally protected. Numerous versions are dimmable.

LOCATION: Integral (I)                      TYPE: Electronic (E)  
Remote (R)                                  Electronic Dimming (D)

**COLOR/FINISH:** Natural aluminum is standard. Black or white is available as a standard option. Custom colors, anodized colors or powder coat combinations are available.

Aluminum (A)                      Black (B)  
White (W)                              Custom (C)

**CONSTRUCTION:** Housing and end connectors are aluminum.

**DESCRIPTION:** An architecturally finished compact twin tube fluorescent lighting fixture, with lamps mounted in-line, inclined, and overlapping for shadowless lighting. Numerous voltages, wattage & output levels.

**ELECTRICAL CONNECTION:** All profile housings can be connected by 1/2" knock-out on either end. Method of connection to be specified for both ends of fixture:

End 1/2" knock-out (E)  
End Plate - no knock-out (P)  
Junction Box (J)  
Splice Plate (S)

**FIXTURE CONFIGURATIONS:** Compact fluorescent twin tube lamps in-line (end-to-end).

**HOUSING DIMENSIONS :** Up to 8 foot sections, which can be readily interconnected with splice plates to provide custom lengths.

Profile#1: 5/8"H x 1-1/2"W Remote ballast only  
Profile#2: 1-1/4"H x 1-1/2"W Integral electronic ballast- 5 through 13 watt  
Profile#3: 1-7/8"H x 2-1/4"W Integral electronic ballast-18 through 55 watt  
Integral dimming ballast- 36 watt  
Profile#4: 1-7/8"H x 2-7/8"W Integral dimming ballast- 40 and 50 watt

**JUNCTION BOX:** Integral with fixture housing. Used with profile #1 housing for end electrical connection (1/2" knock-out). Adds 1" to fixture lengths shown on back page. Must be specified.

**LAMPS:** Optional. Fixtures are built for compact twin fluorescent lamps. See lamp code on back of page.

**MITERS:** Custom miters can be provided.

**MOUNTING METHOD:** Mounting holes are provided in the back of the fixture channel.

**REFLECTOR:** Optional. Symmetrical (S), Asymmetrical (A)

**VOLTAGE:** 120 volts (1), 277 volts (2)

**WATTAGE:** See lamp specification chart.

**WIRING:** 10 ft leads are provided standard with remote ballast units (maximum length possible 20 ft - distance from ballast to lamp).

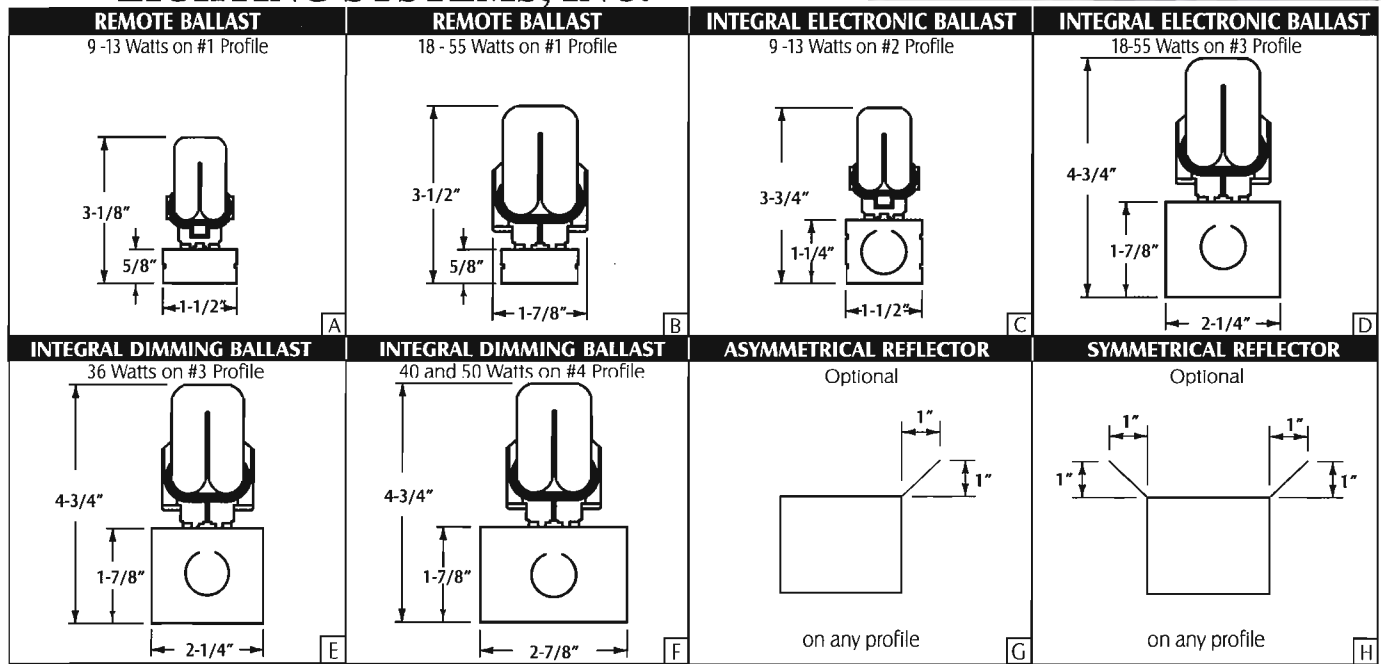
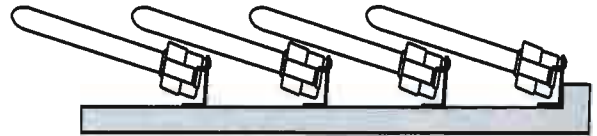
**WARRANTY:** One year limited, conditional on the use of Alexandra Lighting Systems, Inc. supplied ballast(s) and installed in accordance with Alexandra Lighting Systems' installation instructions, the National Electric Codes and/or any prevailing codes.

4311 MEADOW VIEW COURT COLORADO SPRINGS, CO 80918 TEL: 719.548.8805/800.833.0540 FAX: 719.260.7929 e-MAIL: alexandraltgsys@aol.com

All product illustrations are based on current information at the time of publication. Alexandra Lighting Systems, Inc. reserves the right to make changes without notice or obligation in prices, specifications, colors, and materials, and to change or discontinue models. Call for latest information. Part substitution voids all warranties. 2002 Alexandra Lighting Systems, Inc. rev 5B/08/02

# ALEXANDRA<sup>®</sup>

## LIGHTING SYSTEMS, INC.



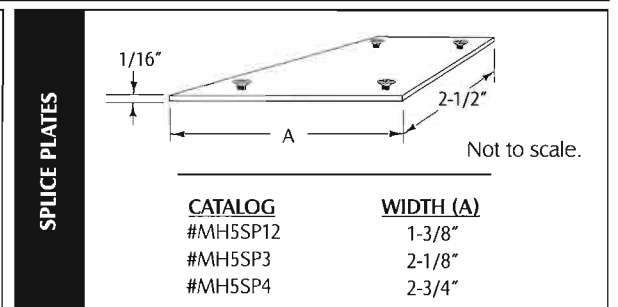
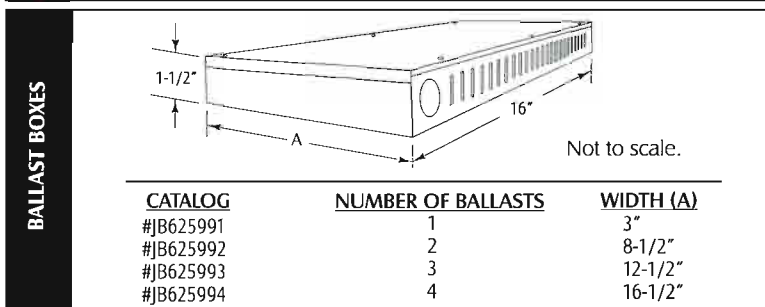
STANDARD FIXTURE LENGTH - INCHES*	LAMP		NUMBER OF LAMPS											
	WATTS	CENTERS	1	2	3	4	5	6	7	8	9	10	11	12
	9	4		10	14	18	22	26	30	34	38	42	46	50
13	4		10	14	18	22	26	30	34	38	42	46	50	
18	8		11	19	27	35	43	51	59	67	75	83	91	
24	11		13	24	35	46	57	68	79	90				
36	14		17	31	45	59	73	87						
40	20		23	43	63	83								
50	20		23	43	63	83								
55	19		22	41	60	79								

Custom lamp combinations and lengths are available.  
 \*Integral Junction Box on Profile #1 Housing adds 1" to these fixture lengths.

OPTIONS	CATALOG #	DESCRIPTION
	MH5SP12	Splice plate for #1 and #2 profile
	MH5SP3	Splice plate for #3 profile
	MH5SP4	Splice plate for #4 profile
	JB625991	Ballast box for one ballast
	JB625992	Ballast box for two ballasts
	JB625993	Ballast box for three ballasts
	JB625994	Ballast box for four ballasts
	LS55SR _____"	Symmetrical reflector
	LS55AR _____"	Asymmetrical reflector

LAMP SPECIFICATIONS/CODES	WATTS	COLOR KELVIN 2700	COLOR KELVIN 3000	COLOR KELVIN 3500	COLOR KELVIN 4100	INITIAL LUMENS*	NOMINAL LENGTH INCHES	AVERAGE RATED LIFE HOURS*	LUMENS PER FOOT OF FIXTURE
	9	FG			FH	580	5.7	10,000	1740
	13	FI	FJ		FK	800	6.2	10,000	2400
	18		FO	FP	FQ	1250	10.5	20,000	1875
	24		FR	FS	FT	1800	12.9	12,000	1965
	36		FU	FV	FW	2900	16.6	12,000	2485
	40		FX	FY	FZ	3150	22.6	20,000	1890
	50		GA	GB		4300	22.5	14,000	2580
	55		GC	GD	GE	4800	21.1	12,000	3030

\* This information is based on average lamps as tested and published by the lamp manufacturer, may vary in actual usage.



4311 MEADOW VIEW COURT COLORADO SPRINGS, CO 80918 TEL: 719.548.8805/800.833.0540 FAX: 719.260.7929 e-MAIL: alexandraltgsys@aol.com

All product illustrations are based on current information at the time of publication. Alexandra Lighting Systems, Inc. reserves the right to make changes without notice or obligation in prices, specifications, colors, and materials, and to change or discontinue models. Call for latest information. Part substitution voids all warranties. 2002 Alexandra  
 \$1 00 rev 5B/08/02