

# ALEXANDRA<sup>®</sup>

LIGHTING SYSTEMS, INC.

## 401L SERIES

Type: \_\_\_\_\_

SINGLE 40 WATT LED

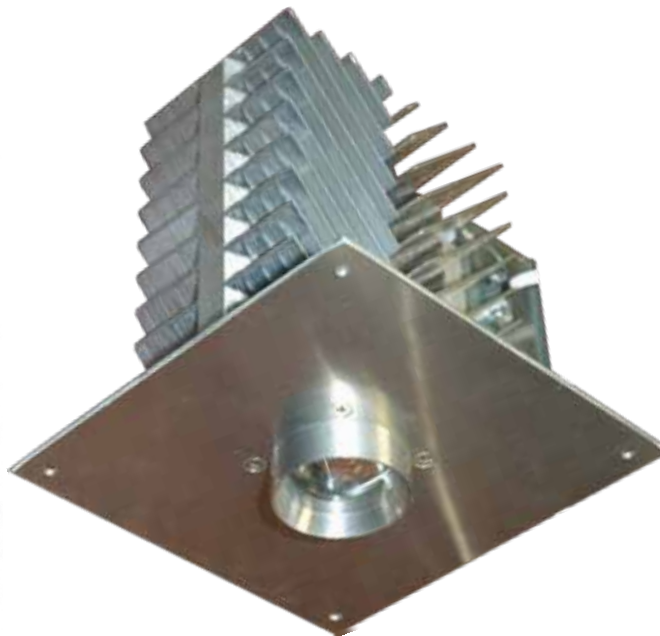
LED KELVIN:

- 2800K
- 4100K
- 5600K

APERTURE COLOR:

- Natural Aluminum
- Black
- White
- Custom \_\_\_\_\_

- Made In the USA
- Dimmable
- 2000/2200 Lumens
- 2.5" Aperture
- 50°- 80° Aperture Adjustment
- 100 to 277 volt power supply included
- Fixture is reverse polarity protected.
- LED's are derated to run cool and have an extraordinary long life.

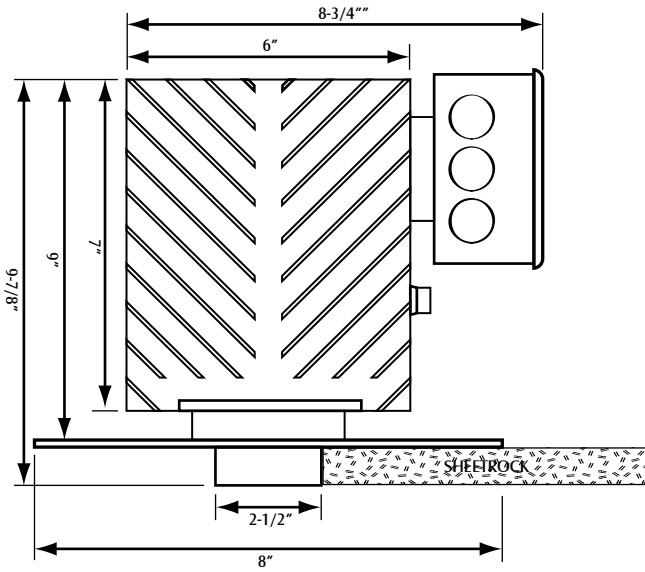


### SPECIFICATION GUIDE: 401LA2

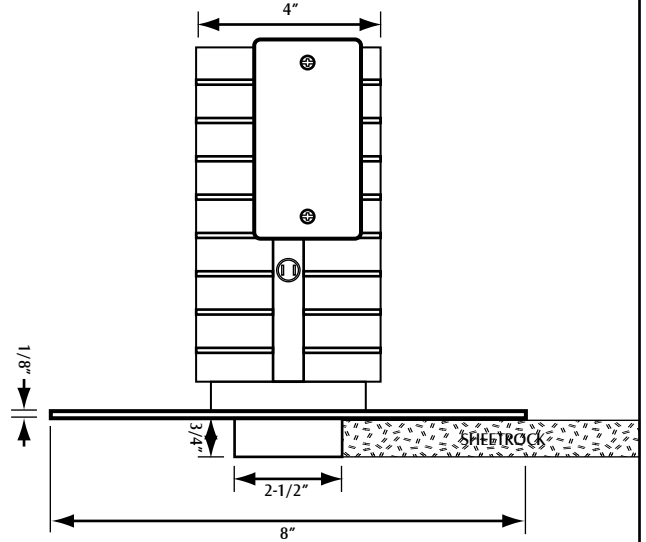
DESIGNATION:	FIXTURE SERIES	APERATURE COLOR	LED KELVIN
SAMPLE SPECIFICATION:	401L	A	2
DESCRIPTION EXAMPLE: Alexandra Series 401L, Natural aluminum color aperture, 2800K LED's			

<b>AMPS:</b>	2.2	<b>LED SERVICE:</b>	LED can be replaced from the room side without removing the fixture.
<b>APERTURE COLOR:</b>	Natural Aluminum (A) Black (B) White (W)	<b>LENS:</b>	Glass
<b>BEAM SPREAD:</b>	50°- 80° field adjustable	<b>MOUNTING METHOD:</b>	1/8" X 8" X 8" mounting plate
<b>CONSTRUCTION:</b>	Billet machined aluminum 9-7/8"H x 8-3/4"W x 4"D	<b>POWER SUPPLY:</b>	Dry Location and remote.
<b>DIMMING:</b>	0-10 volt 2 wire dimming (by others) or 3 wire potentiometer dimming (by others)	<b>DIMENSIONS:</b>	7-3/4"L x 1-3/8"H x 1-3/4"W
<b>DIMMING FUNCTION:</b>	Responsibility of end user to ensure that dimmer and power pack are compatible.	<b>DIMMING:</b>	2 or 3 wire
<b>FIXTURE DIMENSIONS:</b>	Above ceiling line 4" x 8-3/4 x 7"	<b>INPUT VOLTAGE:</b>	100 - 277 Volts AC, 50/60 Hz
<b>HEAT SINK:</b>	Oversized heat-sink for extra long LED life.	<b>OUTPUT VOLTAGE:</b>	17 volts, constant current. UL Listed.
<b>LED KELVIN:</b>	2800K (2) 4100K (4) 5600K (5)	<b>LOCATION:</b>	Remotely located up to 150' using 16 AWG.
<b>LED LIFE:</b>	75,000+ hours typical	<b>THERMOSTAT:</b>	Integral - will cut power should heat sink overheat.
<b>LED LUMEN:</b>	2000L - 2800K 2000L - 4100K 2200L - 5600K	<b>REVERSE PROTECTION:</b>	Integral (If fixture is reverse wired, the LED will not be destroyed.)
		<b>WARRANTY:</b>	5 year limited, conditional on the use of Alexandra Lighting Systems, Inc. supplied power supply(ies) and installed in accordance with Alexandra Lighting Systems' installation instructions and/or any prevailing local codes.
		<b>WATTS:</b>	40

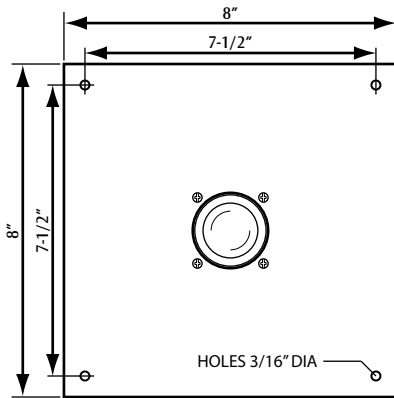
**SIDE VIEW**



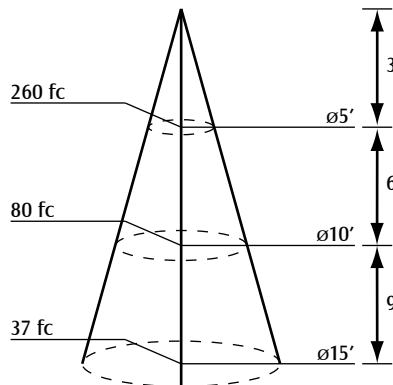
**SIDE VIEW**



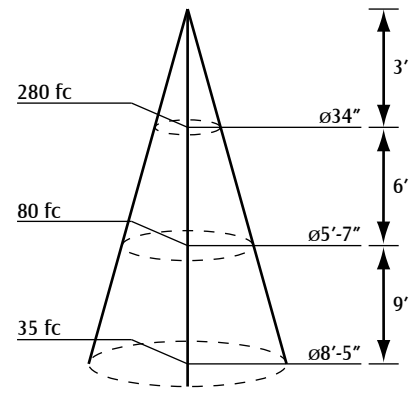
**MOUNTING PLATE DETAIL**



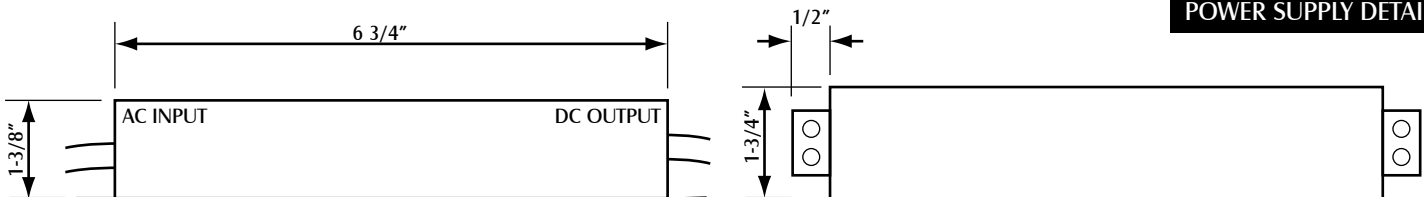
**fc Output @ 80° Aperture**



**fc Output @ 50° Aperture**



**POWER SUPPLY DETAIL**



2 or 3 wire dimming



DRAWINGS NOT TO SCALE