

# ALEXANDRA<sup>®</sup>

LIGHTING SYSTEMS, INC.

## 76L SERIES

Type: \_\_\_\_\_

- Miniature LED Downlight
- 12V DC - Dimmable
- Damp Location Rating
- Frosted or Clear Lens
- Made In the USA
- 230 Lumen
- Reverse Polarity Protected
- LED's are derated to run cool and have an extraordinary long life



Actual size:  
2-5/8" diameter

**LED COLOR:**

- White 2800K
- White 3200K
- White 4100K
- White 5000K

**FIXTURE COLOR:**

- AQS
- LAN
- ORB
- MAB
- BBA
- BRB
- DKB
- Black
- Chrome
- SAB
- PLN
- SNK
- PLB
- PBC
- DAN
- PWT
- White
- Brass

**LENSES:**

- Clear
- Frosted
- Honey Cell Silver
- Honey Cell Black

**MOUNTING METHOD:**

- Surface
- Recessed



Shown with satin chrome lens holder and clear glass

### SPECIFICATION GUIDE: 76LCCW2R

DESIGNATION:	FIXTURE SERIES	FIXTURE COLOR	LENS	LED CODE	MOUNTING METHOD
SAMPLE SPECIFICATION:	76L	C	C	W2	R
DESCRIPTION EXAMPLE:	Alexandra Series 76L, Chrome, Clear Lens, White 2800K, Recessed Mounting.				

**APPLICATIONS:**

- Accent:** Collections, art objects, bars...
- Architectural:** Remote spots, low profile spots, counter lighting...
- Display:** Showcases, display windows, counters, display shelves...

**LENSES:** Clear (C) glass is standard. Frosted (F), Colored (Specify), Black Honey Cell (BH), or Silver Honey Cell (SH) lenses are available. Lens holder is held in place with magnets.

**AMPS:** .3 Amps

**LUMENS:** 230 lumens

**COLOR OF FIXTURE:** See List

**MOUNTING:** Fixture is mounted using screws. Lens ring is attached with magnets.

**CONSTRUCTION:** Billet machined aluminum body, heat sink and lens holder.

**SAFETY LABEL:** ETL listed/Damp location #A0292914060

**DESCRIPTION:** Miniature, low profile, surface mounted light fixture.

**VOLTAGE:** 12 volts DC, reverse polarity protected.

**DIMENSIONS:** 5/8" high x 2-5/8" diameter. See reverse for line drawing.

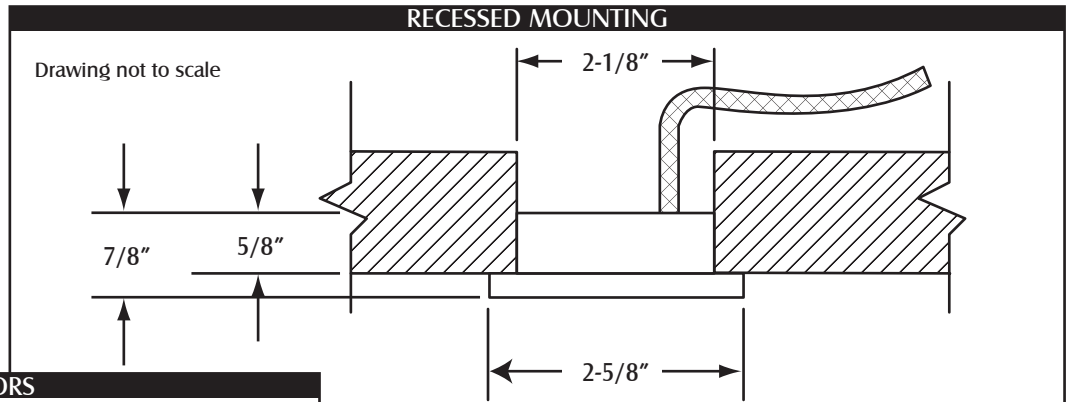
**WARRANTY:** 5 Year limited, conditional on the use of Alexandra Lighting Systems, Inc. supplied power supply(ies) and installed in accordance with Alexandra Lighting Systems' installation instructions and/or any prevailing electrical codes.

**LED COLORS:** White 2800K (W2), White 3200K (W3), White 4100K (W4), White 5000K (W5)

**LED LIFE:** Average rated hours: 60,000\*. LED life may vary in usage.

**WATTS:** 4

\*This information is based on average LEDs as tested and published.



Alexandra Series 76L fixtures can be recessed mounted by drilling a 2-1/8" hole. The unit can be secured using the 3 screws provided.

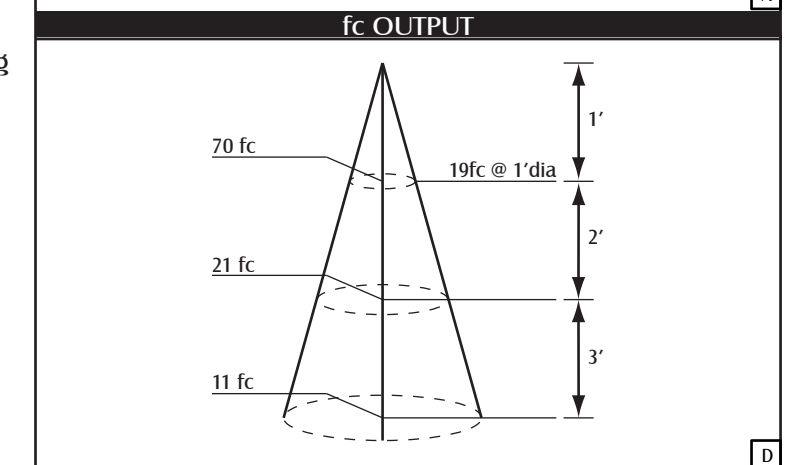
A

COLORS	
CATALOG #	DESCRIPTION
76LAQS	Antique Silver
76LLAN	Light Antique Nickle
76LORB	Oil Rubbed Bronze
76LMAB	Medium Antique Bronze
76LBBA	Brushed Bronze w/extra Antiquing
76LBRB	Brushed Bronze
76LDKB	Dark Bronze
76LSAB	Satin Brass
76LPLN	Polished Nickle
76LSNK	Satin Nickle
76LPLB	Polished Brass
76LPBC	Polished Brass w/Clear Coat
76LDAN	Dark Antique Nickle
76LPWT	Pewter
76B	Black
76W	White
76C	Chrome
76G	Brass

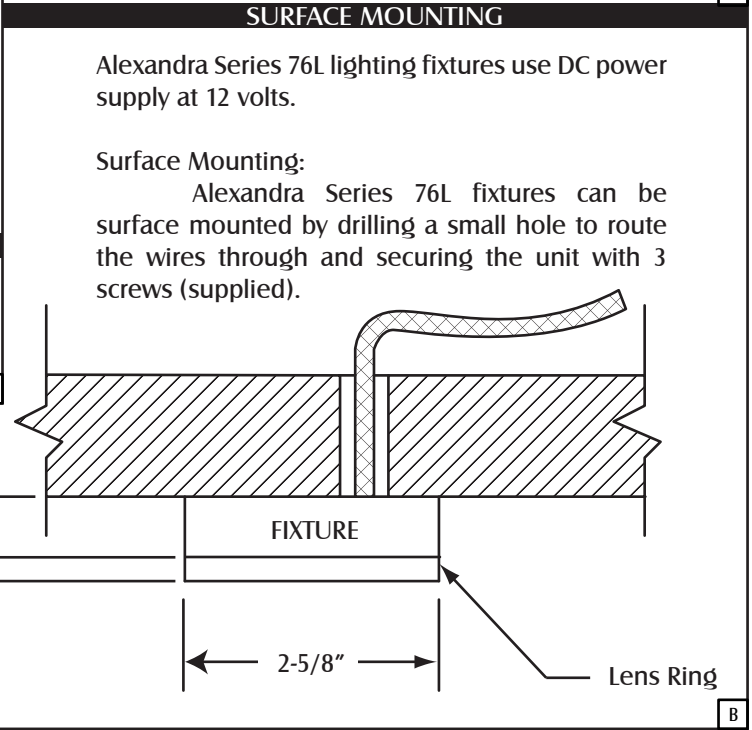
\*Specify C or F for Clear or Frosted lens at the end of the catalog number. (ie. 76LAQSF or 76LAQSC)

POWER SUPPLIES	
CATALOG #	DESCRIPTION
TXL18	18 Watt hardwired transformer
TXL25	25 Watt hardwired transformer
TXL40	40 Watt hardwired transformer
TXL60	60 Watt hardwired transformer

DIMMABLE DC POWER SUPPLIES	
CATALOG #	DESCRIPTION
TXLD40	40 Watt hardwired network control dimmable power supply
TXLD60	60 Watt hardwired network control dimmable power supply



D



B