



- 1" DIAMETER LINEAR LIGHT BAR
- QUARTZ HALOGEN OR INCANDESCENT
- LOW VOLTAGE
- U.S. PATENT #5,310,355 Made in the USA
- ETL listed A0292914060 Class 1

TYPE: _____

VOLTAGE
 12 V 24V

LAMP SPACING
 3" 4" 6" 8"

WATTS
 5W 10W
 CLEAR FROSTED
 INCANDESCENT QUARTZ

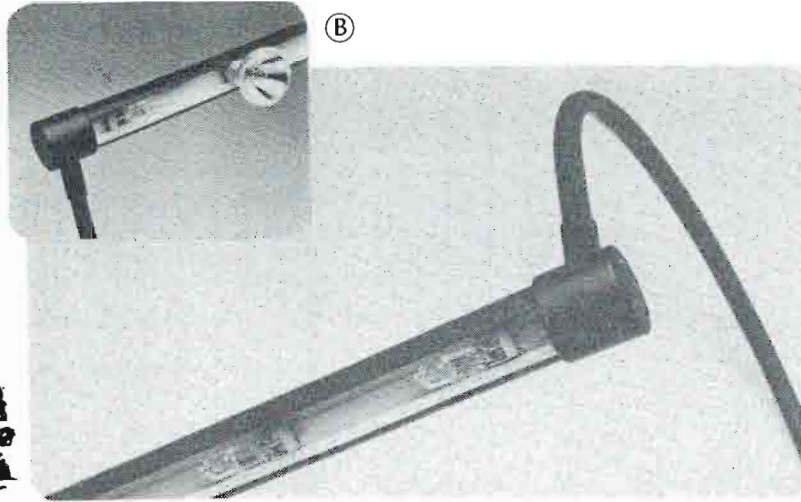
FIXTURE COLOR
 BLACK WHITE
 CUSTOM

LIGHT DIRECTION
 DOWN UP SIDE

STEM LENGTH
 14" 20" 26" CUSTOM
IN.
 RADIUS STRAIGHT

(A)

(B)



Photograph (A) illustrates 108 Series Bar with quartz lamps. Photograph (B) illustrates 108 Series Bar with 20W MR11 lamps attached.

SPECIFICATION GUIDE: 10806005QCWW

Designation:	Fixture Series	Length	Lamp watts	Lamp designation	Bar color - Interior/Exterior
Sample specification:	108	060"	05	QC	WW

DESCRIPTION EXAMPLE:

ALEXANDRA SERIES 108, 12 volt, 60 inches long, 5 watt quartz halogen lamp, in white interior - white exterior finish.

BAR ROTATION: 120°

BEAM SPREAD: 130°

CAUTION: This system requires adequate ventilation to dissipate heat generated during operation for both the light fixture and transformer. Caution must be taken to avoid installing the system in restricted areas where heat buildup could cause damage.

COLOR: Black, white. Custom powder coated colors available. Dual color or anodized and powder coat combinations are available.

CONSTRUCTION: 1" diameter powder coated aluminum outer housing.

DESCRIPTION: An architecturally finished low voltage linear light bar. Manufactured as a linear light source - so versatile, its application is virtually unlimited. Unique due to its internally incorporated ALEXANDRA Series 89 linear light bar. Scalloping is virtually non-existent which allows even flooding minimizing highlights or hot spots. The light bar can rotate 120°.

DIMENSIONS: 1" diameter and up to 12 foot lengths.

LAMPS: G-4 base quartz halogen lamps included. 20W MR11 lamp may be substituted.



LAMP SPACING: 5 & 10 watt lamps 3,4,6 or 8" O.C.
20 watt MR11 lamps 4,6 or 8" O.C.

LAMP LIFE:

Quartz lamps @ 2,000 hrs.

This information is based on average lamps as tested, and on published IES calculations. Lamp life may vary in usage.

LAMP SOCKETS: Tension pre-set in factory to receive lamp. Field adjustment generally not required.

LAMP WATTAGE: 5 or 10 watt G-4 base quartz halogen lamps and 20 watt MR11 lamps.

MANUFACTURED: USA.

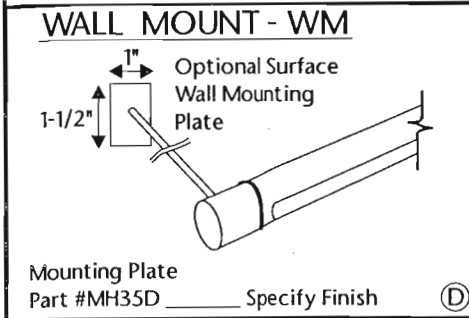
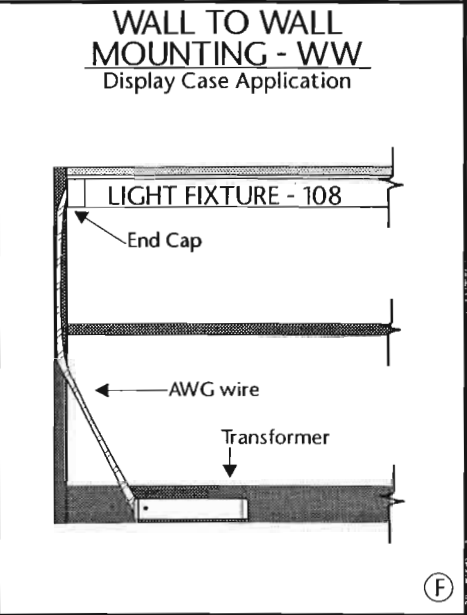
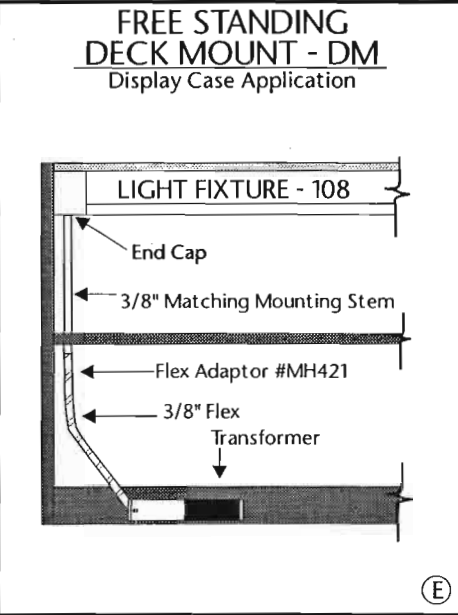
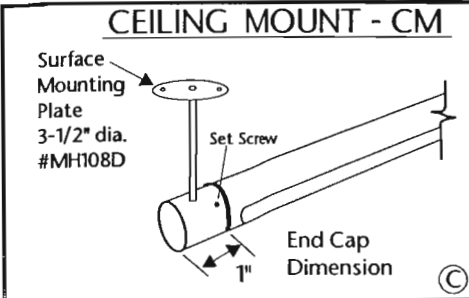
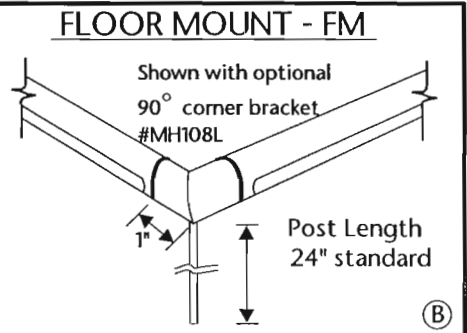
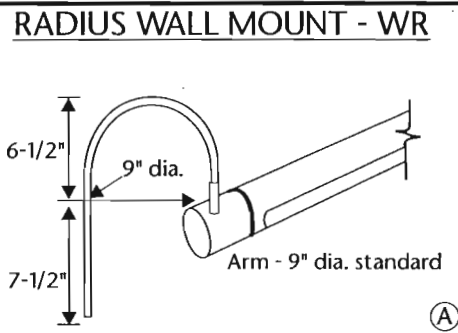
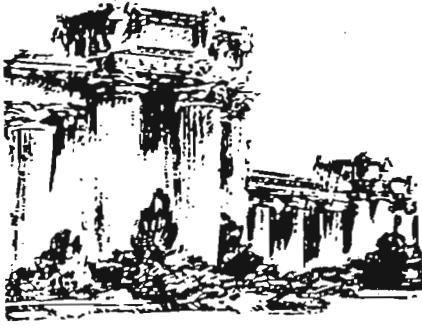
MOUNTING METHODS: Floor, ceiling or wall mounting hardware available. Custom hardware available. Fixture requires mounting hardware at 4 foot intervals.

SAFETY LABEL: ETL approved #0292914060 Class 1.

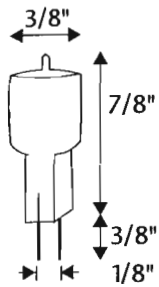
VOLTAGE: 12 or 24 volts. Transformer is required for operation.

WARRANTY: One year limited. Conditional on the use of Alexandra Lighting Systems, Inc. supplied transformer.

WATTAGE CAPACITY: 240 watts @ 12 volts
480 watts @ 24 volts



LAMP OPTIONS



TYPE	CATALOG NO.	VOLTAGE	WATTAGE	LUMENS	KELVIN TEMP.	LAMP LIFE*
G-4 Halogen	395QC	12	5	60	3200°	2,000+ hrs.
G-4 Halogen	891QC	12	10	120	3200°	2,000+ hrs.
G-4 Halogen	892QC	12	20	280	3200°	2,000+ hrs.

NOTE: G-4 based halogen lamps are included with the light strip. MR-11 must be ordered separately.

* This information is based on average lamps as tested and on published IES calculations. Lamp life may vary in actual usage.

