

ALEXANDRA[®]

LIGHTING SYSTEMS, INC.

16RS7 SERIES
 TYPE: _____

- MR16 Lamp Adaptor
- Low Voltage
- Multi Task
- Made in the USA



FIXTURE COLOR:
 Black White
 Satin Aluminum
 Custom _____

MOUNTING BLOCK COLOR:
 Black White

CORD COLOR:
 Black White

LENS:
 Without
 Clear-C Frosted-F
 Honeycomb-HC
 Custom _____

SPECIFICATION GUIDE: 16RS7BBWFA

DESIGNATION:	FIXTURE SERIES	FIXTURE COLOR	MOUNTING BLOCK COLOR	CORD COLOR	LENS	MOUNTING BLOCK DEPTH
SAMPLE SPECIFICATION:	16RS7	B	B	W	F	A
DESCRIPTION EXAMPLE: Alexandra Series 16, black body, black mounting block, white cord, frosted lens, with 1/4" deep mounting block.						

APPLICATIONS:

Displays ~ Showcases, show windows, counters, cabinets, soffits, perimeter fixtures, art objects.
 Architectural ~ Soffits, perimeter lighting, cornices, and many more.

CAPACITY: 50W maximum

COLOR: Black, white, satin aluminum, or custom.

CONSTRUCTION: Metal lamp ring and arm.

DIMENSIONS: 3" x 2-1/4"

FILTERS: Honeycomb louvers, clear, colored, or frosted lenses available. Fixture can hold one or two filters simultaneously. Order separately.

FUSING: Must fuse primary and secondary on the transformer.

LAMPS: MR16, 12 or 24 volt, 20, 35, or 50 watt narrow, medium or wide beam. Not included and must be ordered separately.

LAMP SPACING: Maximum 2-1/4" on center.

MOUNTING BLOCK COLOR: Black or white.

MOUNTING BLOCK DEPTH: A) 1/4" B) 1/2"

MOUNTING METHOD: Push onto Alexandra Series 77 or 78 light strip.

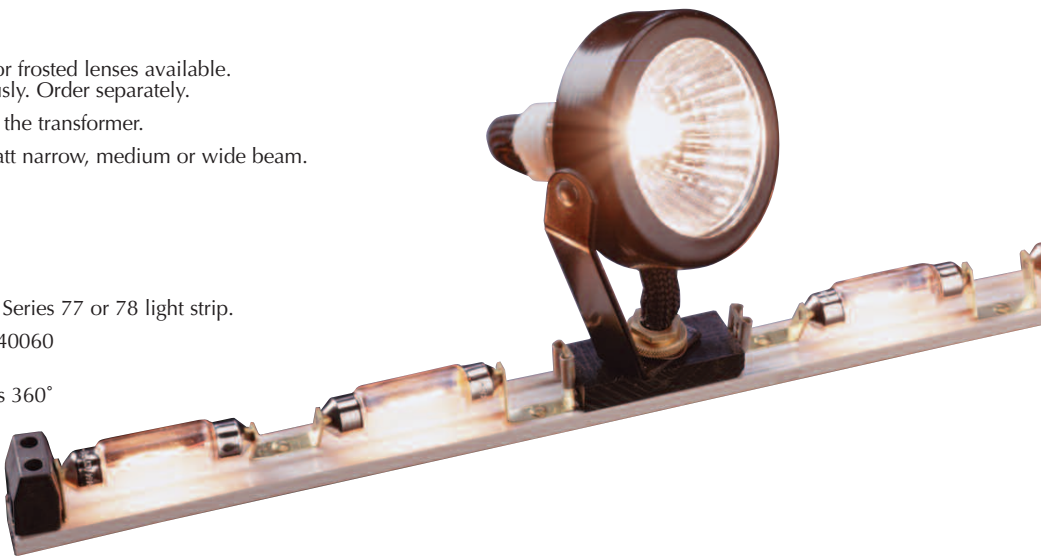
SAFETY LABEL: ETL listed ~ Class 1#A02929140060
 UL listed

SPECIAL FLEXIBILITY FEATURE: Fixture rotates 360° in either direction and tilts 180°.

VOLTAGE: 12 or 24 volts.

WARRANTY: One year limited. Conditional on the use of Alexandra Lighting Systems, Inc. supplied transformers.

WATTS: 20, 35, or 50 watt MR16 lamps.



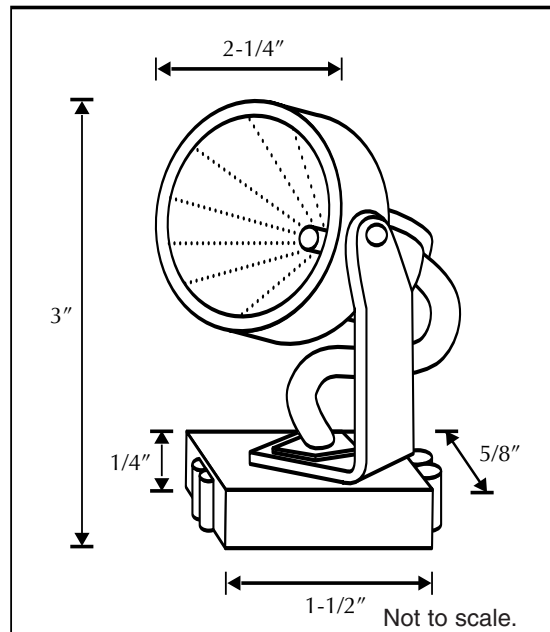
4311 MEADOW VIEW COURT • COLORADO SPRINGS, CO 80918 • TEL: 719~548~8805 • FAX: 719~260~7929

All product illustrations are based on current information at the time of publication. Alexandra Lighting Systems, Inc. reserves the right to make changes without notice or obligation in prices, specifications, colors, and materials, and to change or discontinue models. Call for latest information. Part substitution voids all warranties. 2000 Alexandra Lighting Systems, Inc.

rev 16RS10/2000

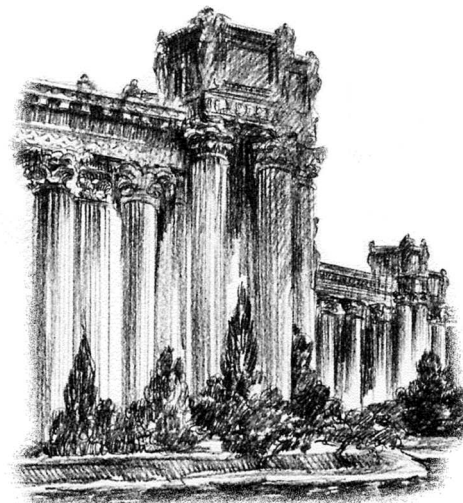
MR16 TRU-AIM TITAN (DICHROIC REFLECTOR ~ UV STOP QUARTZ CAPSULE ~ N0 COLOR SHIFT OVER LIFE)					
DISTANCE FROM SOURCE	20MR16Q/60°/VWFL/T CBCP: 350 cd Beam Angle: 60° Avg. Rated Life: 3000 hours		35MR16Q/10°/NSP/T CBCP: 8300 cd Beam Angle: 10° Avg. Rated Life: 4000 hours		
	Diameter		fc*	Diameter	
	3'	3.5'	40	0.5'	920
	6'	6.9'	10	1.0'	230
9'	10.4'	4	1.6'	100	
DISTANCE FROM SOURCE	35MR16Q/60°/VWFL/T CBCP: 650 cd Beam Angle: 60° Avg. Rated Life: 4000 hours		35MR16Q/40°/FL/T CBCP: 1250 cd Beam Angle: 40° Avg. Rated Life: 4000 hours		
	Diameter		fc*	Diameter	
	3'	3.5'	70	2.2'	140
	6'	6.9'	20	4.4'	35
9'	10.4'	8	6.6'	15	
DISTANCE FROM SOURCE	50MR16Q/10°/NSP/T CBCP: 11,500 cd Beam Angle: 10° Avg. Rated Life: 4000 hours		50MR16Q/25°/NFL/T CBCP: 3200 cd Beam Angle: 25° Avg. Rated Life: 4000 hours		
	Diameter		fc*	Diameter	
	3'	0.5'	1280	1.3'	355
	6'	1.0'	320	2.7'	90
9'	1.6'	140	4.0'	40	
DISTANCE FROM SOURCE	50MR16Q/40°/FL/T CBCP: 2000 cd Beam Angle: 40° Avg. Rated Life: 4000 hours		50MR16Q/60°/VWFL/T CBCP: 1000 cd Beam Angle: 60° Avg. Rated Life: 4000 hours		
	Diameter		fc*	Diameter	
	3'	2.2'	220	3.5'	110
	6'	4.4'	55	6.9'	28
9'	6.6'	25	10.4'	12	

* fc ~ approximate footcandles at center



LENS / FILTER ACCESSORIES FOR MR-16

CATALOG #	DIAMETER	DESCRIPTION
LS16HC	1.97"	Honeycomb
LS16C	1.97"	Clear
LS16F	1.97"	Frosted
LS16B	1.97"	Blue
LS16R	1.97"	Red
LS16P	1.97"	Pink
LS16SL	1.97"	Spread Lens
LS16BE	1.97"	Beam Elongator



ALEXANDRA
LIGHTING SYSTEMS, INC.

4311 MEADOW VIEW COURT • COLORADO SPRINGS, CO 80918 • TEL: 719~548~8805 • FAX: 719~260~7929

All product illustrations are based on current information at the time of publication. Alexandra Lighting Systems, Inc. reserves the right to make changes without notice or obligation in prices, specifications, colors, and materials, and to change or discontinue models. Call for latest information. Part substitution voids all warranties. 2000 Alexandra Lighting Systems, Inc.

rev 16RS10/2000