

ALEXANDRA[®]

LIGHTING SYSTEMS, INC.

794 SERIES

Type: _____

- Solid Brass Picture Light
- Low Voltage
- Made In the USA



- FINISH:
 - Polished Brass
 - Satin Brass
 - Antique Brass
 - Polished, Lacquered
 - Custom _____
- LAMP HOUSING LENGTH:
 - 4" 24"
 - 6" 36"
 - 12" 48"
 - 18"
 - Custom _____
- PROJECTION:
 - 4"
 - 6"
 - Custom _____
- LAMP:
 - 5 Watt Frosted
 - 10 Watt Frosted
 - 5 Watt Clear
 - 10 Watt Clear

SPECIFICATION GUIDE: 794PB1206CK03

DESIGNATION:	FIXTURE SERIES	FINISH	LENGTH	PROJECTION	LAMPS	LAMP SPACING
SAMPLE SPECIFICATION:	794	PB	12	06	CK	03
DESCRIPTION EXAMPLE:	Alexandra Series 794, Polished Brass, 12" Long, 6" Projection, 10 Watt Frosted Lamps, Lamps at 3" O.C.					

APPLICATIONS:

- Accent: Pictures, art objects, bookcases...
- Architectural: Soffits, cornices, graphics...
- Furniture: Armoires, cabinets, desks...

LENGTH: 4", 6", 12", 18", 24", 36" or 48".
(Lamp Housing) Custom lengths available.

FINISH:

- (PB) Polished Brass
Without clear coat
- (SB) Satin Brass
- (AB) Antique Brass
- (PBL) Polished Brass
With lacquer top coat

MOUNTING METHOD: Wall mount, See back of this specification sheet.

REFLECTOR: Polished Aluminum.

SAFETY LABEL: UL, Dry location listed

HOUSING:

1/8" Heavy gauge solid brass stock with welded ends, no visible seams. Powder Coated fixtures are constructed of 1/8" aluminum lamp housings.

TERMINATION: 48" Two conductor cable wired directly to wall box via Heyco strain relief in solid brass polished wall plate.

VOLTAGE: 12 Volt. Remote transformer required. Sold separately.

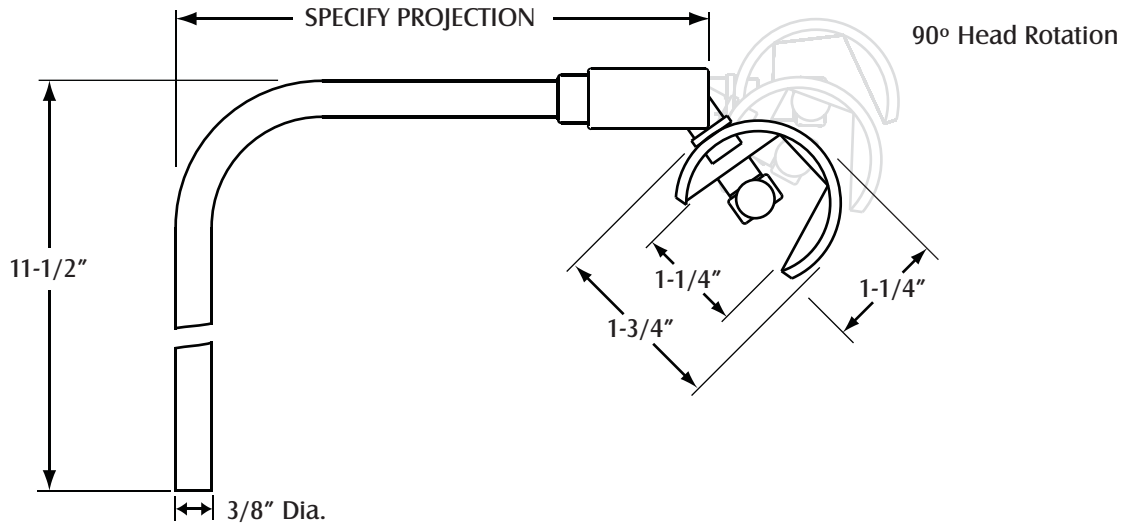
LAMP CODE:

- (CG) G-4 Base 5 watt xenon, clear
- (CJ) G-4 Base 5 watt xenon, frosted
- (CH) G-4 Base 10 watt xenon, clear
- (CK) G-4 Base 10 watt xenon, frosted

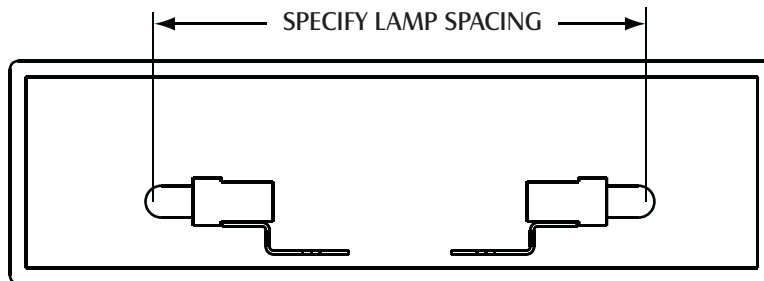
WARRANTY: 1 Year limited, conditional on the use of Alexandra Lighting Systems, Inc. supplied transformer(s) and installed in accordance with Alexandra Lighting Systems' installation instructions and/or any prevailing electrical codes.

LAMP SPACING: 3", 4" or 6". Custom spacing available.

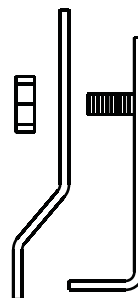
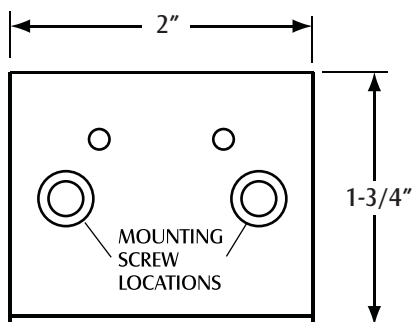
CROSS SECTION VIEW



INTERIOR VIEW



WALL MOUNTING BRACKET



NOTE:
BRACKET CLAMPS ON
PICTURE LAMP UPRIGHTS.

Drawings are not to scale