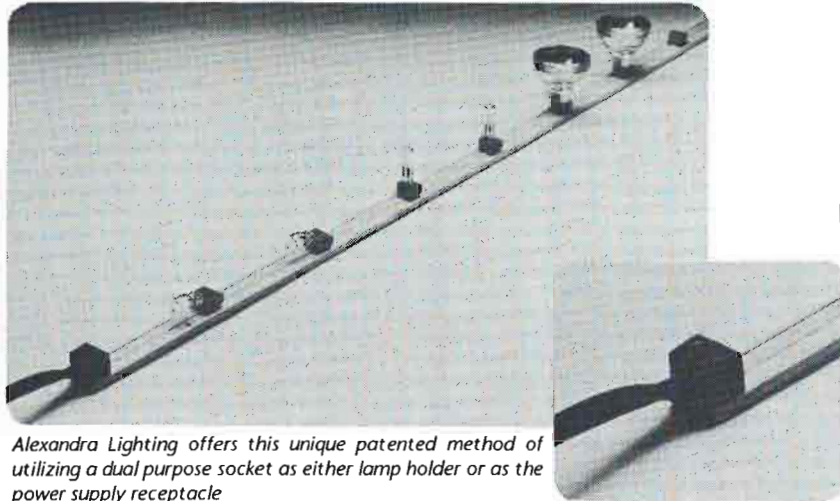




- LINEAR LIGHT STRIP - 20 AMP CAPACITY
- LOW VOLTAGE QUARTZ HALOGEN
- MULTI TASK
- U.S. PATENT #5,310,355 Made in the USA
- ETL listed A0292914060 Class 1

## 89 SERIES

- VOLTAGE  
 12V  
WATTS  
 5W  10W  20W  
 CLEAR  FROSTED  
LAMP SPACING  
 3"o.c.  4"o.c.  
 6"o.c.  8"o.c.  
LAMP POSITION  
 HORIZONTAL  VERTICAL



Alexandra Lighting offers this unique patented method of utilizing a dual purpose socket as either lamp holder or as the power supply receptacle

TYPE: \_\_\_\_\_

### SPECIFICATION GUIDE: 8907210C8H

Designation:	Fixture Series	Length	Lamp watts	Lamp designation	Lamp Spacing	Lamp position
Sample specification:	89	072"	10	C (CLEAR)	8" o.c.	H (HORIZONTAL)
DESCRIPTION EXAMPLE: ALEXANDRA SERIES 89, 12 volt, 72 inches long, 10 watt lamps, clear lamps spaced 8" apart, horizontal lamp position						

#### APPLICATIONS:

ACCENT: Collections, art objects, bars.  
ARCHITECTURAL: Remote spots, low profile spots, counter lighting.  
DISPLAYS: Showcases, display windows, counters, shelves.  
FURNITURE: Display cases, desks, armoires, bookshelves.

CAUTION: This system requires adequate ventilation to dissipate heat generated during operation for both the light fixture and transformer. Caution must be taken to avoid installing the system in restricted areas where heat buildup could cause damage.

COLOR: Soft white insulator bar.

CONSTRUCTION: Molded Ultem<sup>®</sup>, a General Electric thermoplastic with long term heat deflection. 392°F (800°C) @ 264PSI.

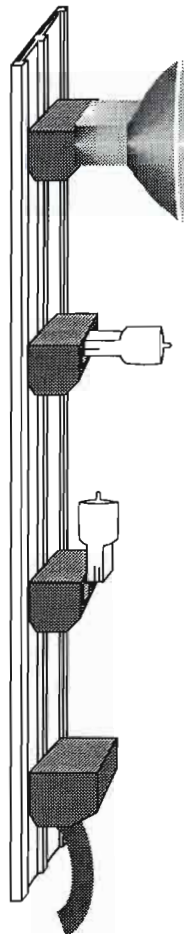
CUTTING: Strips may be field cut.

DESCRIPTION: Low voltage high lumen linear quartz light strip. Its unique feature is that each lamp holder can hold the power feed or lamp.

DIMENSIONS: 5/8" x 1-1/4" vertical lamp  
5/8" x 1/2" horizontal lamp

FUSING: Primary and secondary side of the transformer must be fused.

LAMP SPACING: 3 to 10 watt lamps 3,4,6 or 8" o.c.  
20 watt lamps 4,6 or 8" o.c.



LAMPS: G-4 base halogen lamps included. See specifications on reverse side. 20 watt lamps vertical application only. Other lamps horizontal or vertical application.

LAMP SOCKETS: Tension pre-set in factory to receive lamp. Field adjustment generally not required.

LAMP LIFE: 2000+ hrs. This information is based on average lamps as tested and published IES calculations. Lamp life may vary in actual usage.

LENGTH: Available to a maximum of 10' but not to exceed amp capacity.

MANUFACTURED: USA.

MOUNTING: Use supplied 3M double sided tape, and #4 screws through the bar. Nylon surface mount clips or linear aluminum tracks available and recommended (see back).

RADIUS: 9" concave or convex.

SAFETY LABEL: ETL approved #0292914060 Class 1.

VOLTAGE: 12 volts. A transformer is required for operation.

WARRANTY: One year limited, Conditional on the use of Alexandra Lighting Systems, Inc. supplied transformer.

WATTAGE: 5, 10, or 20 watt quartz lamps.

WATTAGE CAPACITY: 240 watts @ 12 volts  
480watts @ 24 volts

4311 MEADOW VIEW COURT • COLORADO SPRINGS, CO 80918 • TEL: 719-548-8805 • FAX: 719-260-7929

All product illustrations are based on current information at the time of publication. Alexandra Lighting Systems, Inc. reserves the right to make changes without notice or obligation in prices, specifications, colors and materials, and to change or discontinue models. Call for latest information. Part substitution voids all warranties. 1994 Alexandra Lighting Systems, Inc.

# ALEXANDRA<sup>®</sup>

LIGHTING SYSTEMS, INC.

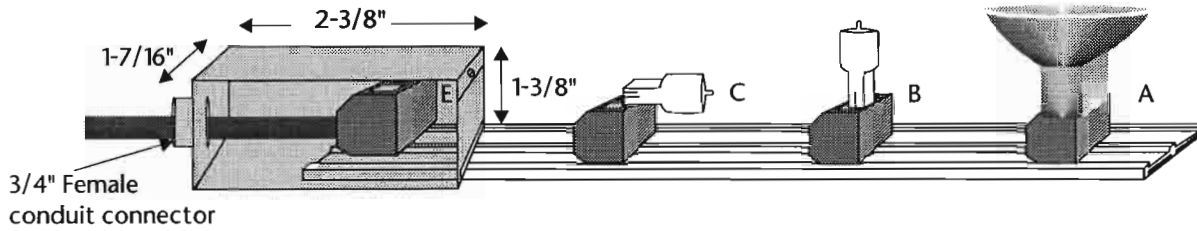
4311 MEADOW VIEW COURT  
 COLORADO SPRINGS, CO 80918  
 TEL: 719-548-8805 FAX: 719-260-7929

## Junction Box Class I

JB77

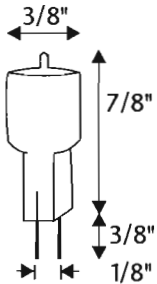


ETL listed  
 A0292914060  
 Class I



TYPE: \_\_\_\_\_

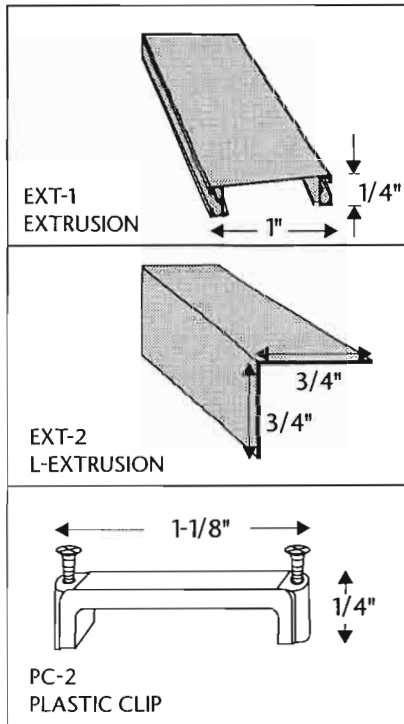
### LAMP OPTIONS



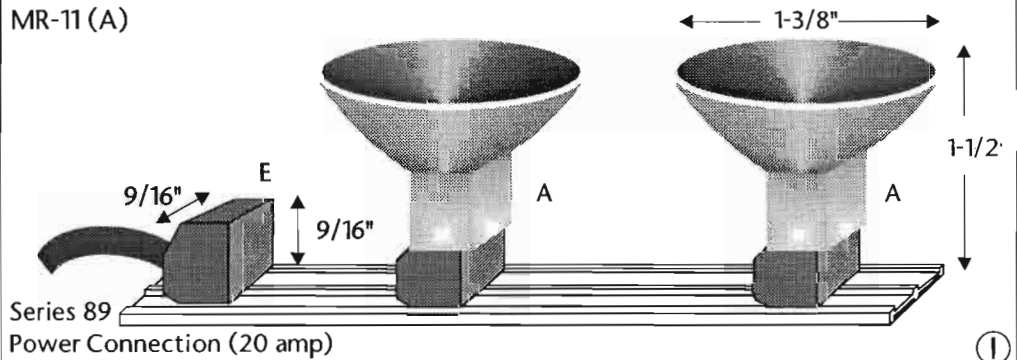
TYPE	CATALOG NO.	VOLTAGE	WATTAGE	LUMENS	KELVIN TEMP.	LAMP LIFE*
G-4 Based	395QC	12	5	60	3200°	2,000+ hrs.
Halogen	891QC	12	10	120	3200°	2,000+ hrs.
Minatures	892QC	12	20	350	3200°	2,000+ hrs.

NOTE: G-4 based halogen lamps are included with the light strip. MR-11 must be ordered separately.

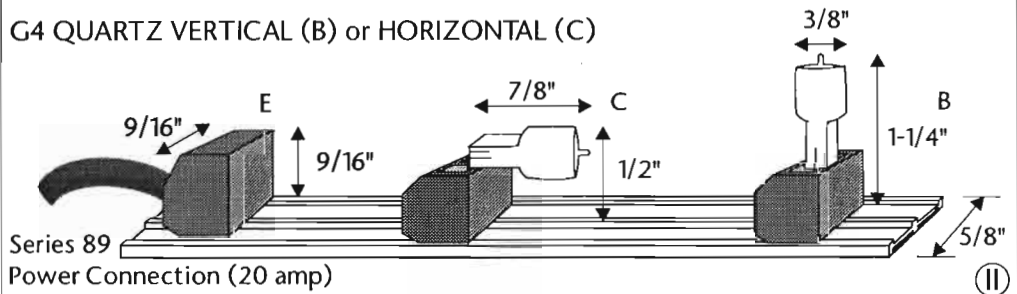
\* This information is based on average lamps as tested and on published IES calculations. Lamp life may vary in actual usage.



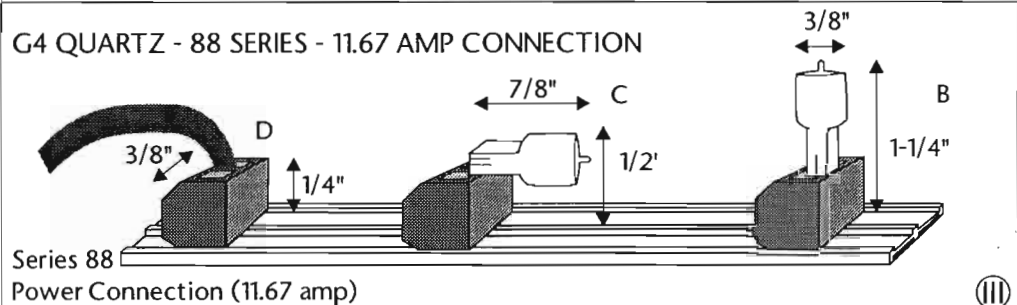
### MR-11 (A)



### G4 QUARTZ VERTICAL (B) or HORIZONTAL (C)



### G4 QUARTZ - 88 SERIES - 11.67 AMP CONNECTION



All product illustrations are based on current information at the time of publication. Alexandra Lighting Systems, Inc. reserves the right to make changes without notice or obligation in prices, specifications, colors and materials, and to change or discontinue models. Call for latest information. Part substitution voids all warranties. 1994 Alexandra Lighting Systems, Inc.