

ALEXANDRA[®] LIGHTING SYSTEMS, INC. A

33C SERIES

Type: _____

- MR11
- Recessed Light Fixture With Multiple Heads
- 1-2-3-4 Light Versions
- Custom Units are Available to 18 Lamps & 4 Feet Long
- Dimmable
- 12 and 24 Volts
- Integral or Remote Transformers
- Light Heads Tilt and Rotate
- Install/Service from Inside Room or Space
- Made in the USA



- VOLTAGE:
- 12 Volts
- 24 Volts
- TRANSFORMER:
- No Transformer
- Integral Transformer
- Remote Transformer
- COLOR:
- Black
- White
- Black with White Trim
- White with Black Trim
- Custom
- LENSES:
- Clear (Standard)
- Frosted
- Black Honeycomb Louver
- Silver Honeycomb Louver
- Beam Spread
- Color - Specify
- Custom _____

SPECIFICATION GUIDE: 33C320ID12B/WSI

DESIGNATION:	FIXTURE SERIES	NUMBER LAMPS	LAMP WATTS	LAMP CODE	LAMP VOLTAGE	COLOR	LENS LOUVER	TRANSFORMER OPTION
SAMPLE SPECIFICATION:	33C	3	20	ID	12	B/W	S	I
DESCRIPTION EXAMPLE: Alexandra Series 33, 3 lamps, 20 watt/17" spot, 12 volt, black interior with white trim flange, with silver grid louver & integral transformer.								

ACCESSABILITY: All fixtures, except single lamp & minimum headroom units, can be installed/serviced from inside the room/space.

AIMING: Lamp heads rotate 355° and tilt ± 40 degrees.

APPLICATIONS: Recessed MR11 light fixture for ceilings, display cases, shelving, task areas, wall wash, picture lighting, etc.

COLOR: Standard colors are Black, White, or Black-White combinations. Custom colors and powder-coat combinations are available.

- Black (B)
- White (W)
- Black with White trim (B/W)
- White with Black trim (W/B)
- Custom (C)

CONSTRUCTION: Aluminum.

DESCRIPTION: Museum quality architectural, miniature recessed MR11 lamp fixture in 12 or 24 volts. Available in standard 1, 2, 3 or 4 lamp configuration. Custom lengths to 4 feet and 18 lamps are available.

HOUSING DIMENSIONS: All housings are 3-1/8" wide X 2-1/4" high without mounting flange, electronic transformer, or J-Box. Trim flange adds 3/8" all around.

- One lamp: 3-1/8" W X 3-1/8" L
- Two lamps: 3-1/8" W X 6-5/8" L
- Three lamps: 3-1/8" W X 9-1/8" L
- Four lamps: 3-1/8" W X 11-5/8" L
- Additional lamps add 2-1/2"/lamp

LAMP TYPE: Fixtures and trim are designed for MR11 lamps, 35 watt maximum. Lamps are not supplied with the fixture, but are available. See lamp chart on back page.

LENSES AND LOUVERS: All fixtures are shipped with clear lens unless optional lens/louvers are specified.

- Clear Lens (C)
- Frosted Lens (F)
- Beam Spread Lens (W)
- Color Lens (X)
- Black Honeycomb Louvers (B)
- Silver Honeycomb Louvers (S)

MOUNTING: A depth-adjustable mounting frame is supplied as standard. Mounting is by screws through the frame. Transformer junction box is mounted on top of the fixture. This allows the housing to be removed into the room/space by removing screws.

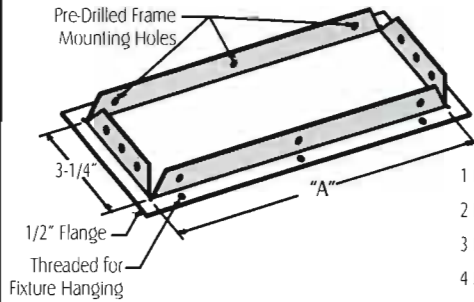
TRANSFORMER: Electronic transformers are standard. 24 volt fixtures are available as an option. Note: 24 volt transformers vary in size and location. Input 120 volts standard. 277 available as an option. Consult sales rep.

- Integral Transformer (I)
- Remote Transformer (R)
- Remote Transformer - Minimum Headroom (RM)

VOLTAGE: 12 volts (12), 24 volts (24)

WARRANTY: One year limited, conditional on the use of Alexandra Lighting Systems, Inc. Supplied transformer(s) and installed in accordance with Alexandra Lighting Systems' installation instructions, the National Electric Code, and/or any prevailing local codes.

MOUNTING FRAME



	"A" DIMENSION
1 LAMP UNIT	3-1/4"
2 LAMP UNIT	6-3/4"
3 LAMP UNIT	9-1/4"
4 LAMP UNIT	11-3/4"

A

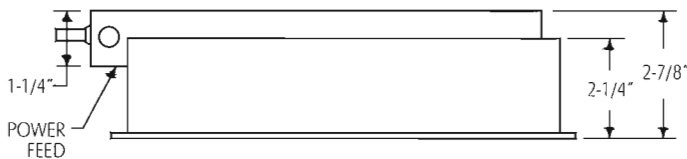
MR11 LAMP CHART

LAMP CODE	WATTS	VOLTAGE	BEAM SPREAD
IB	12	12	VNSP 9.5°
IC	20	12	NSP 10°
ID	20	12	SP 17°
IE	20	12	NFL 30°
IF	35	12	NSP 10°
IG	35	12	SP 20°
IH	35	12	NFL 30°
II	20	24	N 12°
IJ	20	24	M 19°
IK	20	24	W 30°
IL	35	24	N 13°
IM	35	24	M 19°
IN	35	24	W 33°

C

REMOTE TRANSFORMER - LOW PROFILE UNIT (L)

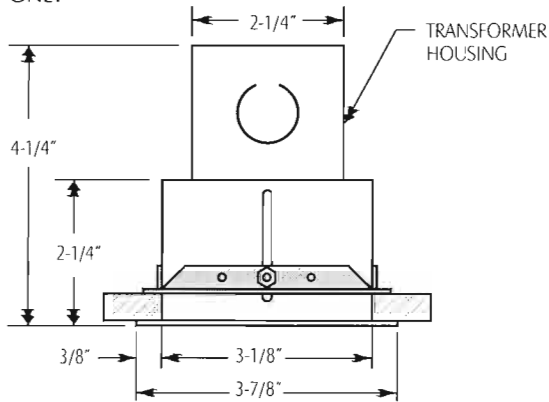
12 OR 24 VOLT



B

END VIEW - INTEGRAL TRANSFORMER (I)

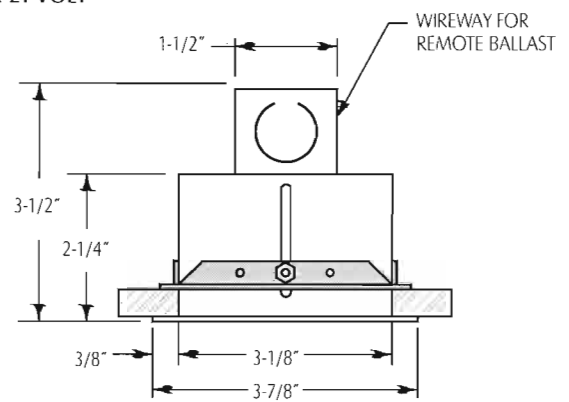
12 VOLT ONLY



D

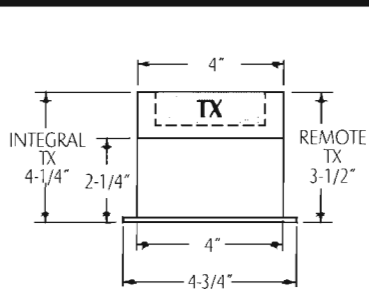
END VIEW - REMOTE TRANSFORMER - STANDARD UNIT (R)

12 OR 24 VOLT



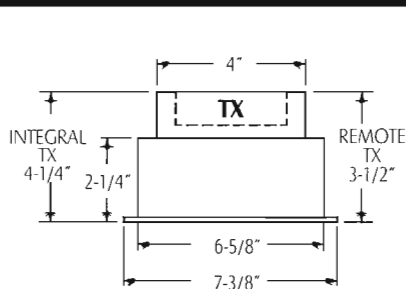
C

1 LAMP UNIT



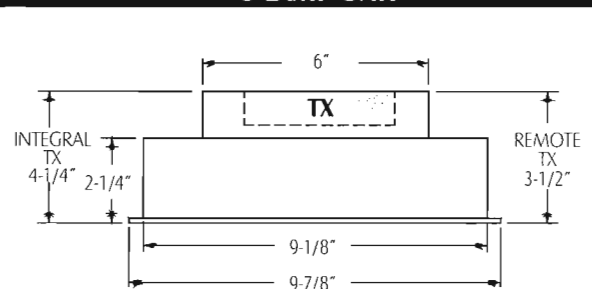
F

2 LAMP UNIT



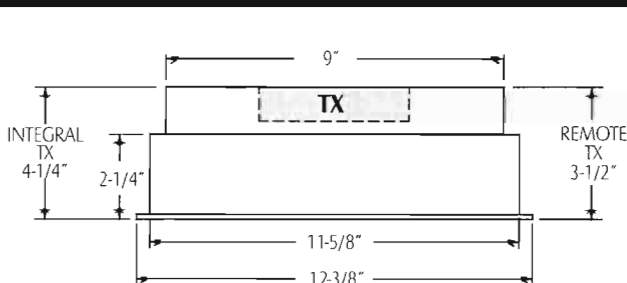
G

3 LAMP UNIT



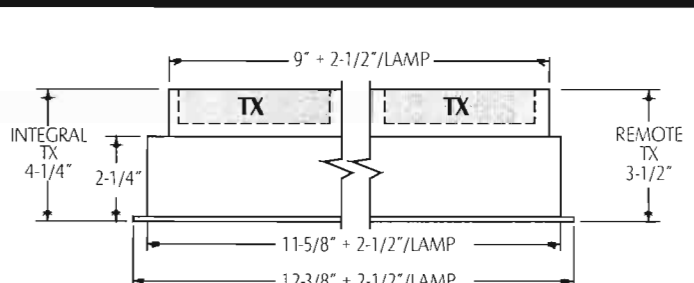
H

4 LAMP UNIT



I

CUSTOM LENGTH



J

HOUSING SIDE VIEWS